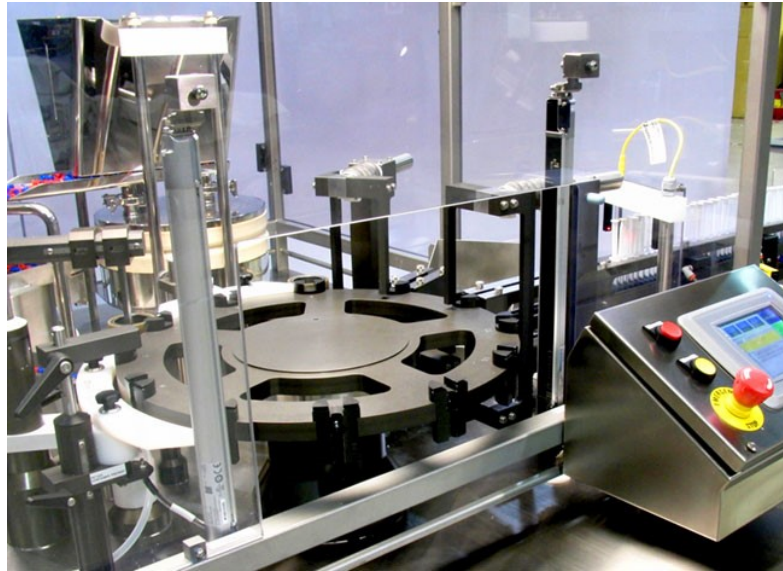


PLASTIC SYRINGE FILLING AND AUTO TIP CAP MACHINES

SA-SF and IM-SF Models



M&O Perry Industries Liquid Plastic Syringe Tip Filling Systems are available for syringe filling, flush syringe filling (saline), oral syringe filling and dental gel filling applications.

[Perfect for 503B Compounding-Formulation Facilities!](#)

- Intermittent motion and open design provides excellent air flow
- Plunger draws fluid into syringe—no pump required
- Accuracy of +/- 2.0% or better
- Tip cap fitment device removes easily for sterilization
- Reduced cleaning and validation
- Simple changeover and operation
- Options - Vertical Laminar Air Flow (VLAF) Hood, Labeler, Intermediate Bulk Tank (IBT) with Manifold and Peristaltic Pump for replenishing IBT



SYRINGE TYPES—Plastic, Flush, Dental, Oral

CAP TYPES—LUER-lock

Press fit

Tamper evident



OUTPUT—Up to 30/min manually
Up to 45/min automatically



FILL RANGE—From 1mL to 60mL

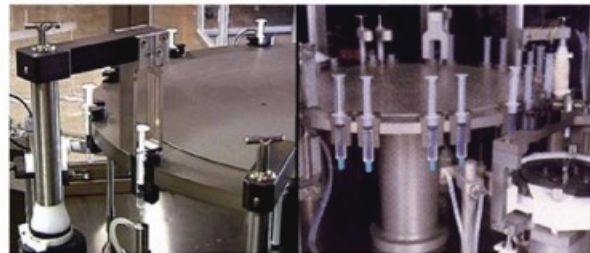


SENSORS FOR—Plunger rod

Syringe

Liquid fill

Cap



Single Tooled

Dual Tooled



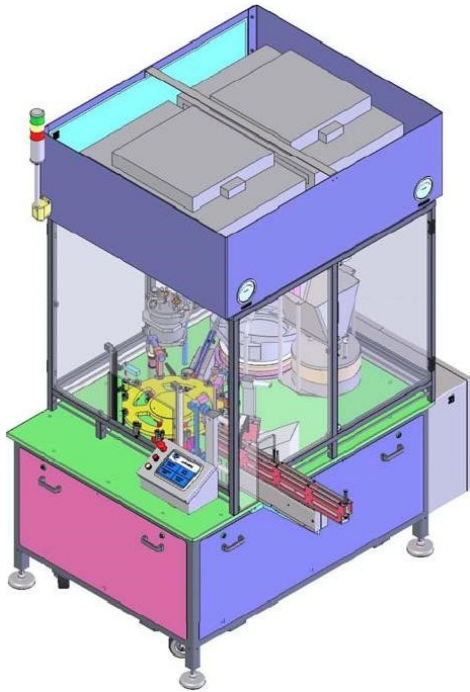
AWS BIO-PHARMA TECHNOLOGIES

WWW.AWSBIOPHARMA.COM SALES@AWSBIOPHARMA.COM 1.877.297.7763

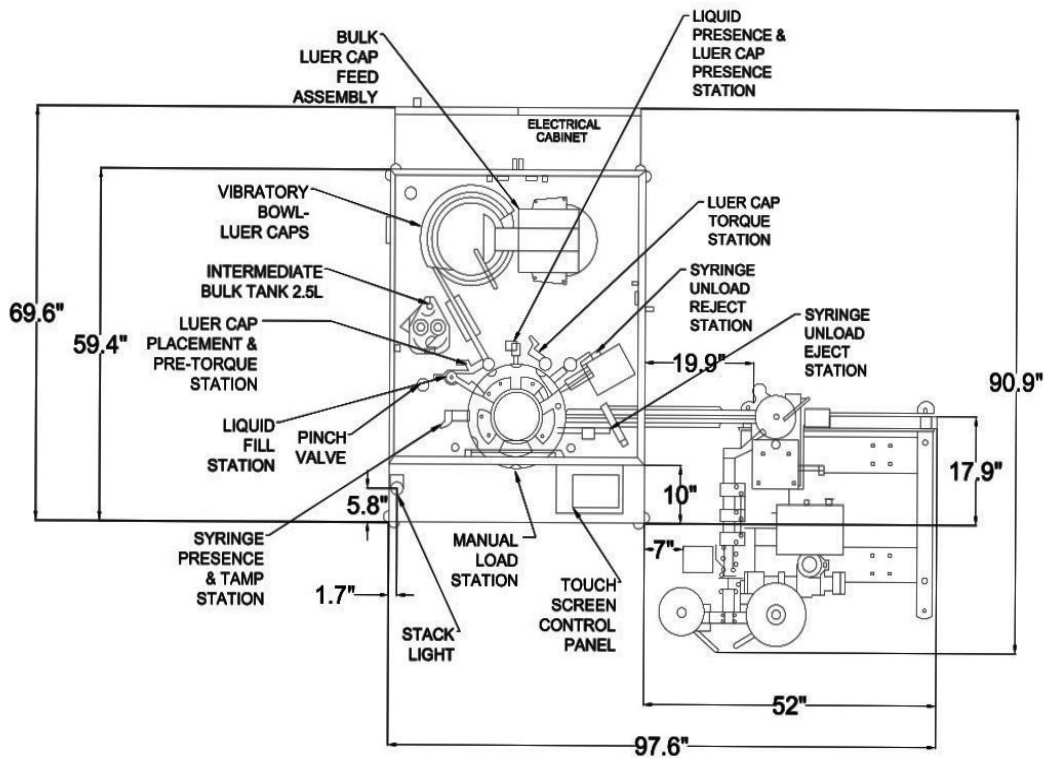
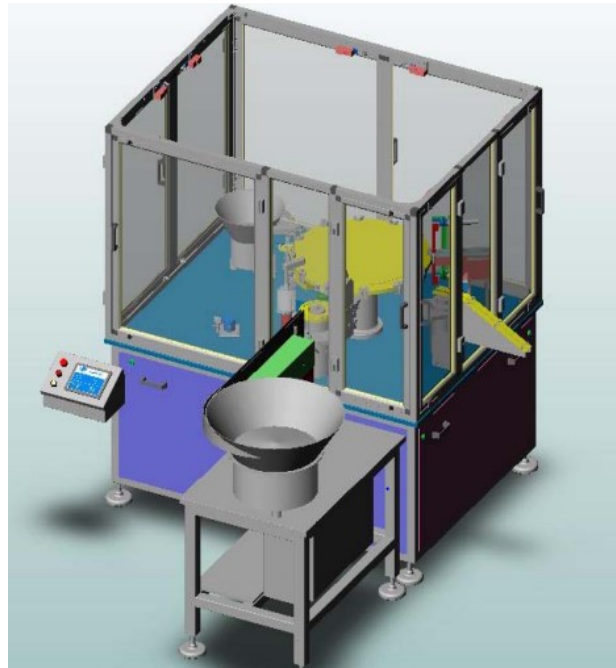
CHOOSE YOUR CONFIGURATION AND OPTIONS

MANUAL OR AUTOMATIC LOADING - PRE-CAPPED OR UNCAPPED SYRINGES

SA -SF SYRINGE MANUAL LOAD



IM-SF AUTOMATED SYRINGE LOAD



MOP SF ATCM 031221



AWS BIO-PHARMA TECHNOLOGIES

WWW.AWSBIOPHARMA.COM SALES@AWSBIOPHARMA.COM 1.877.297.7763